



林海 联系人

专业生产
电流互感器
0.5级 0.5S级 0.2级 0.2S级

上海天洲电器集团有限公司
温州林海电器有限公司



销售部：乐清市柳市新电器城205号柜台
柜电：0577-62750745
生产部：乐清市柳市镇前州村凤凰路沿河巷8号
电话：0577-62766786 传真：0577-62703771
手机：13506559445 13868774771 13506551575

Product Selection Guide

产品选型手册



上海天洲电器集团有限公司
SHANGHAI TIANZHOU ELECTRIC GROUP CO.,LTD
温州林海电器有限公司
WENZHOU LINHAI ELECTRIC CO.,LTD

企业简介

BRIEF INTRODUCTION

Wenzhou Linhai Electric Co., Ltd.

温州林海电器有限公司是一家集研发、生产、销售电流互感器于一体的规范化企业，也是中国自营进出口企业。

公司技术力量雄厚，生产工艺精湛，检测设备先进，并建立了一套全面科学的质量管理体系。坚持以“科学管理、外求信誉、质量兴业、名牌致胜”的方针，以优良品质、完善的售后服务，深得用户的好评，产品畅销全国各地，远销欧美、非洲、中东及东南亚等20多个国家和地区。

本公司座落于东海之滨风景秀丽的雁荡山麓，中国电器之都——柳市，环境优美、交通便利。竭诚欢迎海内外客商前来洽谈合作，携手服务于电力事业的繁荣和发展。

Wenzhou Linhai Electric Co., Ltd. is a research and development, production and sales in one of the standardization of the current transformer enterprises, the Chinese import and export enterprises.

Strong technical force, exquisite production technology, advanced detection equipment, and the establishment of a comprehensive scientific quality management system. Adhere to the "scientific management, external credibility, quality of Societe Generale, brand-name success," and with good quality, perfect service, won the praise of users, products sold throughout the country and exported to Europe, America, Africa, the Middle East and Southeast Asia 20 many countries and regions.

The company is located in the East China Sea, the scenic Hill Lu, the Chinese electrical appliances - Willow City, a beautiful environment and convenient transportation. Welcome home and abroad to discuss cooperation, join hands to serve the power industry's prosperity and development.





权威认证 值得信赖

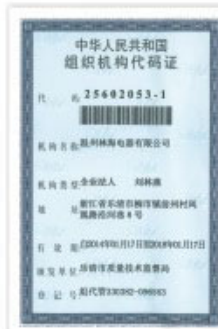
CERTIFICATION TRUSTWORTHY

Wenzhou Linhai Electric Co.,Ltd.

林海电器对质量管理从不松懈，也不敢松懈，着眼于细微之处，严格要求，坚持以高品质的产品来演绎林海品牌精益求精的精髓所在。

林海电器拥有一支强大的质量队伍，懂技术、懂工艺、操作娴熟。公司通过生产、质量责任状建立保障质量机构，加强技术部门与质量管理部门之间的密切配合，努力将林海电器质量管理水平提高到行业领先水平。

林海电器循序渐进地深化质量管理，一步一个脚印，努力提升产品品质。



保护用电流互感器的电流误差和相位限值

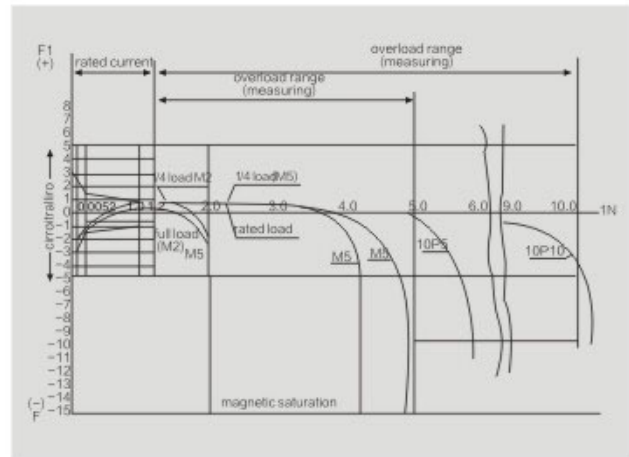
Current errors and phase shift in protection current transformers(Fault conditions)

准确性 Accuracy class	二次侧各种额定电流百分比时误差比± Permissible ratio error at various Percentage of rated secondary current ±	二次侧各种额定电流百分比时的相位限值± Phase shift in various percentage of rated secondary current ±		额定电流的严重误差% Compound error for rated current%
		Minute角差(')	Centiradian比差(±)	
5P	± 1			5
10P	± 3			10

测量用电流互感器的电流误差和周相移动

Current errors and phase shift in measuring current transformers.

准确性 Accuracy class	额定电流百分比的电流误差百分率(±%) Permissible ratio of current error for rated current percentage(±%)				
	1%	5%	20%	100%	120%
1.0	—	3	1.5	1	1
0.5	—	1.5	0.75	0.5	0.5
0.2	—	0.75	0.75	0.2	0.2
0.5S	1.5	0.75	0.5	0.5	0.5
0.2S	0.75	0.5	0.2	0.2	0.2



技术参数 Technical parameter

一次电流: Primary current	5A-5000A
二次电流: Secondary current	5A, 1A
最大电压: Maximum voltage	0.72kV
持续运作电流: Continuous operating current	$1.2 \times I_n$
每分钟测试电压: Test voltage per minute	3kV
额定安全系数: Rated security coefficient	$F_s < 5$
频率: Frequency	50/60HZ
热稳定电流: Thermal rated current	$I_{th} = 100 \times I_n$
额定负荷: Rated load	1-30VA

动态额定电流 Dynamic rated current:

电流互感器的比率误差保证在100%和120%之间, 误差等级可以是2-3折, 特别是当数值在额定电流的一半时, 过载电流可考虑在1-1.2倍之间。

Ratio error of current transformer can be guaranteed between 100% and 120% of rated current. Error class can be 2-3 folding, especially the value of the under half rated current at the application, load current can be taken into consideration between $I_n-1.2I_n$.

连接到电流变压器的设备功率

Device power which connected to current transformers

设备 Devices	功率Power(VA)
电流表 Ammeter	0.7...1.5
瓦特表 Wattmeter	0.5...5.0
功率因数表 COS METER	2.0...6.0
KWh表(有功和无功) KWh-meter(avtive and reactive)	0.4...1
无功功率控制器 Reactive power control units	12
过载继电器 Overload relays	0.2...6
反向电流继电器 Inverse current relays	2
二次热继电器 Secondary thermal relays	7.2...9

铜电缆的附加负载

Additional load due to copper cables

在二次电流5A时的功率损失(VA)

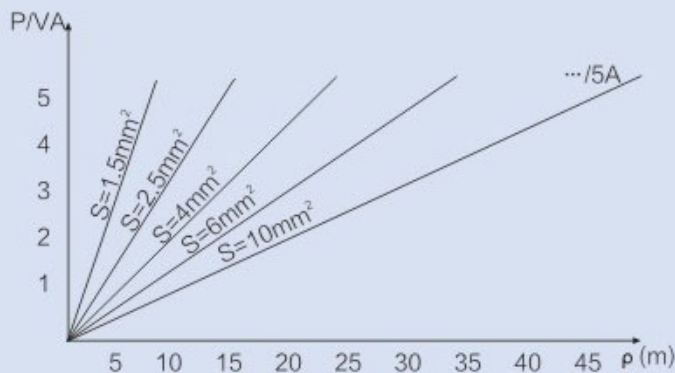
ower loss(VA)at secondary current 5A

电缆(铜)Cable(Cu)	2.5mm ²	4.0mm ²	6.0mm ²	10.0mm ²
1m	0.36	0.22	0.15	0.09
2m	0.71	0.45	0.30	0.18
3m	1.07	0.67	0.45	0.27
4m	1.43	0.89	0.60	0.36
5m	1.78	1.12	0.74	0.44
6m	2.14	1.34	0.89	0.54
7m	2.50	1.56	1.04	0.63
8m	2.86	1.79	1.16	0.71
9m	3.21	2.01	1.34	0.80
10m	3.57	2.24	1.49	0.89

电缆的功率损失计算

Power loss calculation of cable

$$P = \frac{I_{sn}^2 \times 2 \rho}{S \times 56} \text{ (VA)}$$



I_{sn} =二次额定电流(A)
 S =铜电缆的横截面(mm²)
 P =功率损失(VA)
 ρ =二次电流电缆长度(m)
 I_{sn} =secondary rated current(A)
 S =cross section of copper cable(mm²)
 P =power loss(VA)
 ρ =cable length of secondary side(m)

MSQ Series:

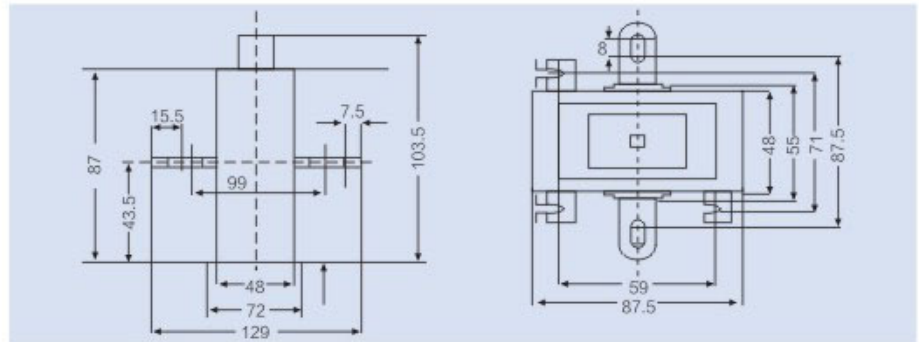
MSQ-30B

MSQ-30B
With bar:
Installation screws(M8 × 20)
used on the busbar are delivered with
the current transformers.



技术参数 Technical parameter

型号 Type	额定电流 Rated current(A)	额定负荷Rated load(VA)		额定电压 Rated Voltage(V)	额定频率 Rated Frequency(Hz)
		Class:0.5	Class:1.0		
MSQ-30B	5/5	5	5	660	50/60
	10/5	5	5	660	50/60
	30/5	5	5	660	50/60
	50/5	5	5	660	50/60
	80/5	5	5	660	50/60
	100/5	5	5	660	50/60
	150/5	5	5	660	50/60
	200/5	5	5	660	50/60
	250/5	5	5	660	50/60



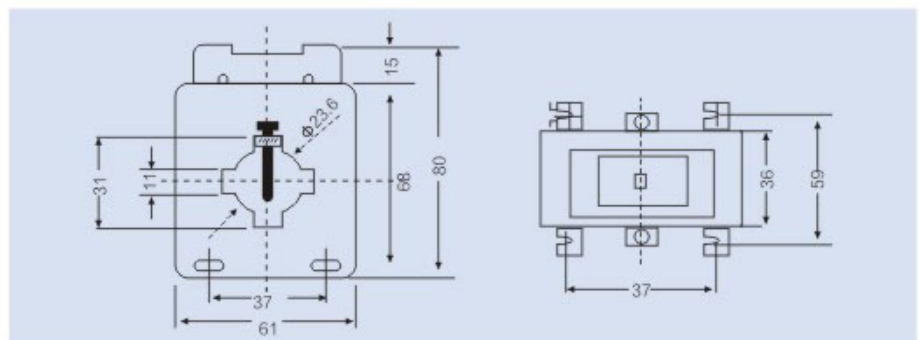
MSQ-30M

Busbar dimension:30 × 10mm
Round conductor cross
section: ϕ 20mm



技术参数 Technical parameter

型号 Type	额定电流 Rated current(A)	额定负荷Rated load(VA)		额定电压 Rated Voltage(V)	额定频率 Rated Frequency(Hz)
		Class:0.5	Class:1.0		
MSQ-30M	30/5	-	1	660	50/60
	50/5	-	1	660	50/60
	60/5	-	1	660	50/60
	80/5	2.5	2.5	660	50/60
	100/5	2.5	5	660	50/60
	150/5	5	5	660	50/60
	200/5	5	5	660	50/60
	250/5	5	5	660	50/60
	300/5	5	5	660	50/60



MSQ Series:

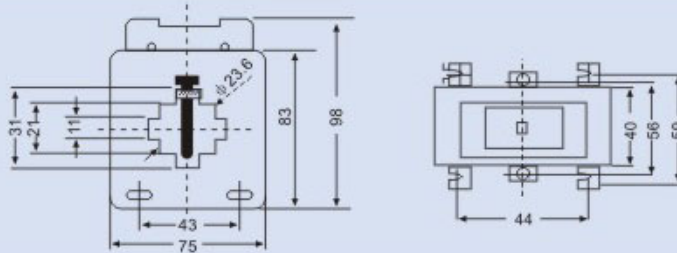
MSQ-30

Busbar dimension: 30 × 10mm
Round conductor cross section: ϕ 20mm



技术参数 Technical parameter

型号 Type	额定电流 Rated current(A)	额定负荷Rated load(VA)		额定电压 Rated Voltage(V)	额定频率 Rated Frequency(Hz)
		Class:0.5	Class:1.0		
MSQ-30	30/5	1	1	660	50/60
	60/5	1	2.5	660	50/60
	100/5	2.5	5	660	50/60
	150/5	5	5	660	50/60
	200/5	5	5	660	50/60
	300/5	5	5	660	50/60



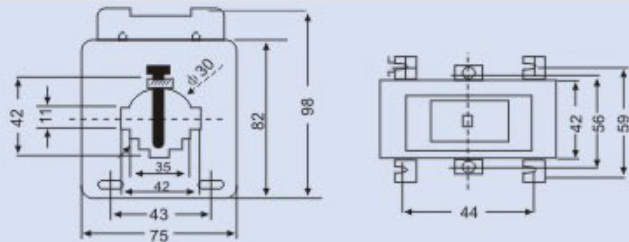
MSQ-40

Busbar dimension: 40 × 10mm
Round conductor cross section: ϕ 30mm



技术参数 Technical parameter

型号 Type	额定电流 Rated current(A)	额定负荷Rated load(VA)		额定电压 Rated Voltage(V)	额定频率 Rated Frequency(Hz)
		Class:0.5	Class:1.0		
MSQ-40	30/5	5	5	660	50/60
	60/5	5	5	660	50/60
	100/5	5	5	660	50/60
	150/5	5	5	660	50/60



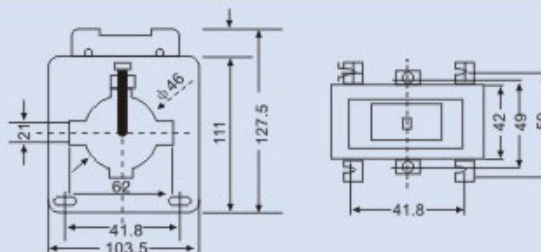
MSQ-60

Busbar dimension: 60 × 20mm
Round conductor cross section: ϕ 40mm



技术参数 Technical parameter

型号 Type	额定电流 Rated current(A)	额定负荷Rated load(VA)		额定电压 Rated Voltage(V)	额定频率 Rated Frequency(Hz)
		Class:0.5	Class:1.0		
MSQ-60	400/5	5	5	660	50/60
	500/5	5	5	660	50/60
	600/5	5	5	660	50/60
	800/5	5	5	660	50/60
	1000/5	5	5	660	50/60



MSQ Series:

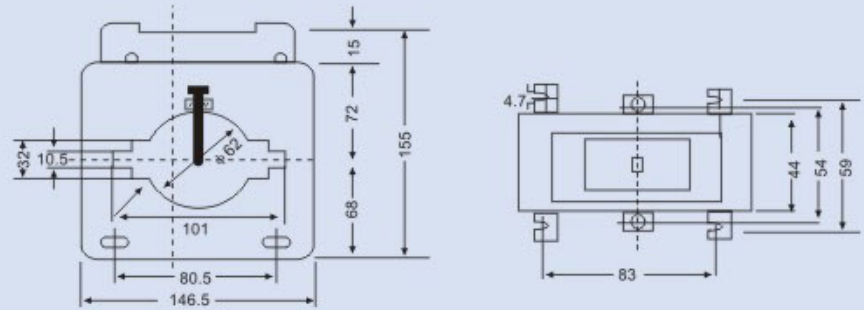
MSQ-100

Busbar dimension: 100 × 10mm
Round conductor cross section: ϕ 60mm



技术参数 Technical parameter

型号 Type	额定电流 Rated current(A)	额定负荷Rated load(VA)		额定电压 Rated Voltage(V)	额定频率 Rated Frequency(Hz)
		Class:0.5	Class:1.0		
MSQ-100	800/5	5	10	660	50/60
	1000/5	5	10	660	50/60
	1200/5	5	10	660	50/60
	1500/5	5	10	660	50/60
	2000/5	5	10	660	50/60
	3000/5	5	10	660	50/60



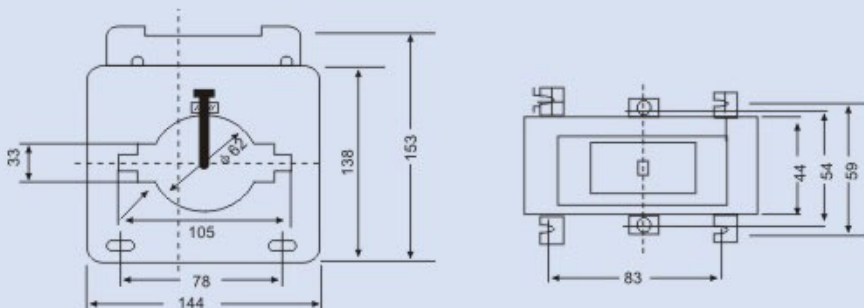
MSQ-100B

Busbar dimension: 100 × 30mm
Round conductor cross section: ϕ 60mm



技术参数 Technical parameter

型号 Type	额定电流 Rated current(A)	额定负荷Rated load(VA)		额定电压 Rated Voltage(V)	额定频率 Rated Frequency(Hz)
		Class:0.5	Class:1.0		
MSQ-100B	800/5	5	10	660	50/60
	1000/5	5	10	660	50/60
	1200/5	10	10	660	50/60
	1500/5	10	15	660	50/60
	2000/5	15	20	660	50/60
	3000/5	20	25	660	50/60



MSQ Series:

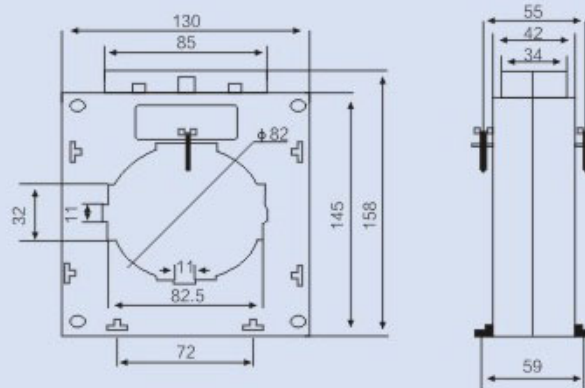
MSQ-85

Busbar dimension: 82 × 30mm
Round conductor cross section: ϕ 80mm



技术参数 Technical parameter

型号 Type	额定电流 Rated current(A)	额定负荷Rated load(VA)		额定电压 Rated Voltage(V)	额定频率 Rated Frequency(Hz)
		Class:0.5	Class:1.0		
MSQ-85	600/5	5	5	660	50/60
	800/5	5	10	660	50/60
	1000/5	5	10	660	50/60
	1200/5	10	10	660	50/60
	1500/5	10	15	660	50/60
	2000/5	20	25	660	50/60



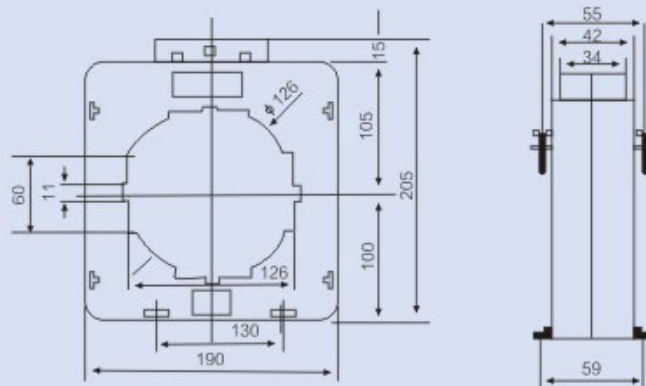
MSQ-125

Busbar dimension: 126 × 60mm
Round conductor cross section: ϕ 120mm



技术参数 Technical parameter

型号 Type	额定电流 Rated current(A)	额定负荷Rated load(VA)		额定电压 Rated Voltage(V)	额定频率 Rated Frequency(Hz)
		Class:0.5	Class:1.0		
MSQ-125	1200/5	10	10	660	50/60
	1500/5	10	15	660	50/60
	2000/5	20	20	660	50/60
	2500/5	20	25	660	50/60
	3000/5	25	30	660	50/60
	4000/5	30	30	660	50/60
	5000/5	30	30	660	50/60



MSQ Series:

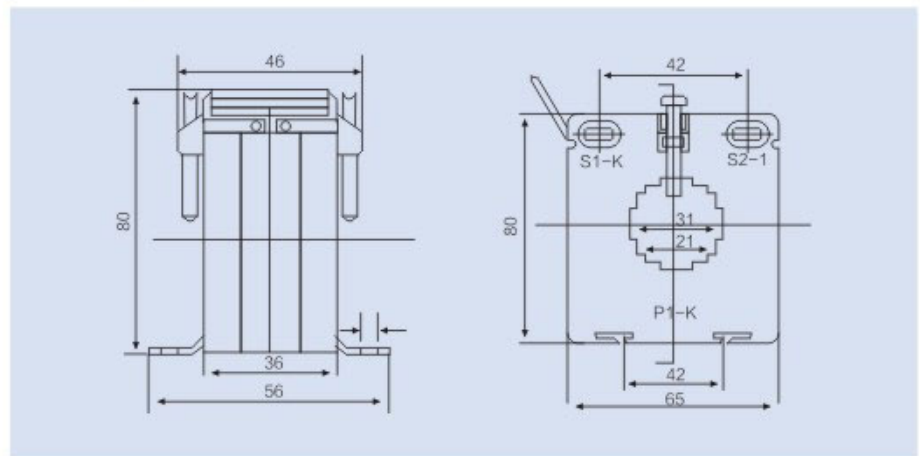
MES-62/30

Busbar dimension: 30 × 10mm
Round conductor cross section: ϕ 20mm



技术参数 Technical parameter

型号 Type	额定电流 Rated current(A)	额定负荷Rated load(VA)		额定电压 Rated Voltage(V)	额定频率 Rated Frequency(Hz)
		Class:0.5	Class:1.0		
MES-62/30	30/5	1	2.5	720	50/60
	50/5	1	2.5	720	50/60
	60/5	2.5	2.5	720	50/60
	75/5	2.5	5	720	50/60
	100/5	2.5	5	720	50/60
	150/5	5	5	720	50/60
	200/5	5	5	720	50/60
	300/5	5	5	720	50/60



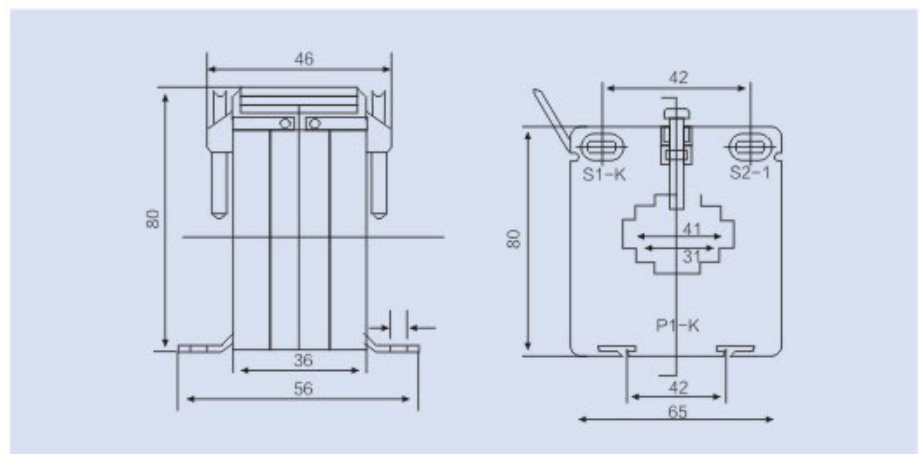
MES-62/40

Busbar dimension: 40 × 10mm
Round conductor cross section: ϕ 30mm



技术参数 Technical parameter

型号 Type	额定电流 Rated current(A)	额定负荷Rated load(VA)		额定电压 Rated Voltage(V)	额定频率 Rated Frequency(Hz)
		Class:0.5	Class:1.0		
MES-62/30	150/5	2.5	5	720	50/60
	200/5	5	5	720	50/60
	250/5	5	5	720	50/60
	300/5	5	5	720	50/60
	400/5	5	5	720	50/60
	600/5	5	5	720	50/60



MSQ Series:

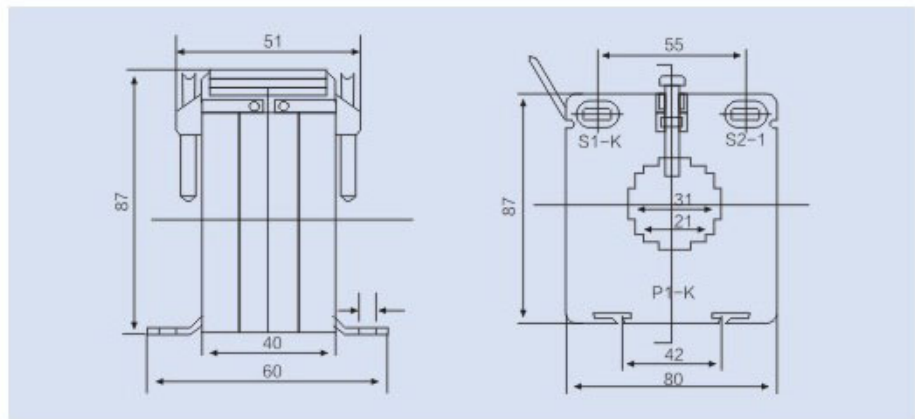
MES-30

Busbar dimension: 30 × 10mm
Round conductor cross section: φ 20mm



技术参数 Technical parameter

型号 Type	额定电流 Rated current(A)	额定负荷Rated load(VA)		额定电压 Rated Voltage(V)	额定频率 Rated Frequency(Hz)
		Class:0.5	Class:1.0		
MES-30	30/5	1.5	2.5	720	50/60
	50/5	1.5	2.5	720	50/60
	60/5	2.5	5	720	50/60
	75/5	2.5	5	720	50/60
	100/5	2.5	5	720	50/60
	150/5	5	5	720	50/60
	200/5	5	5	720	50/60
	250/5	5	5	720	50/60
	300/5	5	5	720	50/60



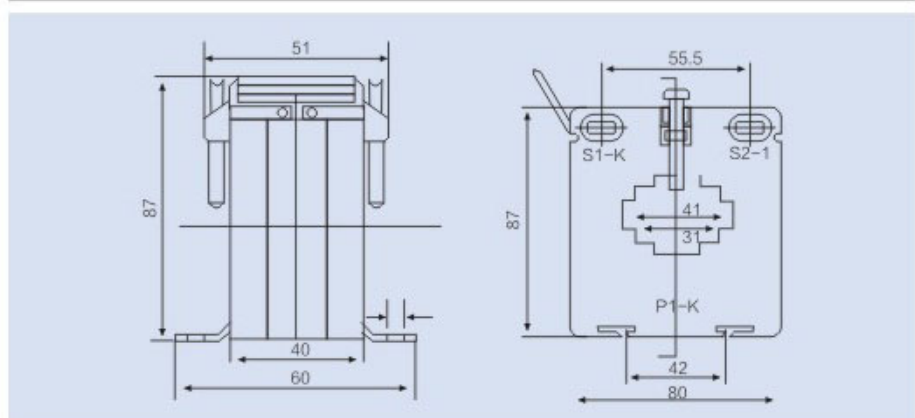
MES-40

Busbar dimension: 40 × 10mm
Round conductor cross section: φ 30mm



技术参数 Technical parameter

型号 Type	额定电流 Rated current(A)	额定负荷Rated load(VA)		额定电压 Rated Voltage(V)	额定频率 Rated Frequency(Hz)
		Class:0.5	Class:1.0		
MES-62/30	100/5	1.5	2.5	720	50/60
	150/5	2.5	2.5	720	50/60
	200/5	5	5	720	50/60
	250/5	5	5	720	50/60
	300/5	5	5	720	50/60
	400/5	5	5	720	50/60
	600/5	5	5	720	50/60



MSQ Series:

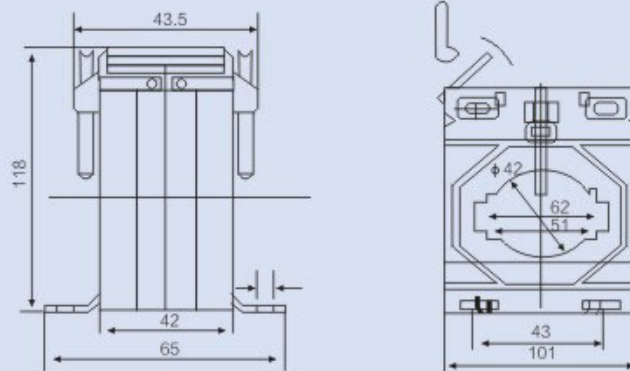
MES-60

Busbar dimension: 60 × 10mm
Round conductor cross section: ϕ 40mm



技术参数 Technical parameter

型号 Type	额定电流 Rated current(A)	额定负荷Rated load(VA)		额定电压 Rated Voltage(V)	额定频率 Rated Frequency(Hz)
		Class:0.5	Class:1.0		
MES-60	400/5	5	5	720	50/60
	600/5	5	5	720	50/60
	800/5	5	10	720	50/60
	1000/5	5	10	720	50/60



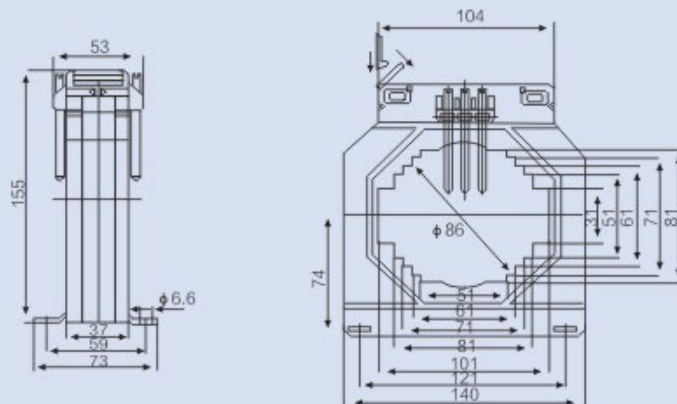
MES-100

Busbar dimension: 100 × 30mm
Round conductor cross section: ϕ 80mm



技术参数 Technical parameter

型号 Type	额定电流 Rated current(A)	额定负荷Rated load(VA)		额定电压 Rated Voltage(V)	额定频率 Rated Frequency(Hz)
		Class:0.5	Class:1.0		
MES-100	800/5	5	10	720	50/60
	1000/5	5	10	720	50/60
	1500/5	10	15	720	50/60
	1600/5	10	15	720	50/60
	2000/5	15	20	720	50/60
	2500/5	20	30	720	50/60
	3000/5	20	30	720	50/60



NSQ-30

Busbar dimension: 30 × 10mm



MSQ Series:

一次电流: Primary current	5A-5000A
二次电流: Secondary current	5A, 1A
额定电压: Rated voltage	0.66kV
额定频率: Rated frequency	50/60Hz
额定负荷: Rated load	1-30VA
准确等级: Class	0.5, 1.0, 3.0
额定安全系数: Rated security coefficient	Fs < 5

技术参数 Technical parameter

型号 Type	额定电流 Rated current(A)	额定负荷 Rated load(VA)	等级 Class	额定电压 Rated Voltage(V)	额定频率 Rated Frequency(Hz)
NSQ-30	30/5A-400/5A	1.5-5	0.5/1.0	660	50/60
NSQ-40	10/5A-600/5A	2.5-5	0.5/1.0	660	50/60
NSQ-55	600/5A-1000/5A	5-10	0.5/1.0	660	50/60
NSQ-100	800/5A-3000/5A	5-30	0.5/1.0	660	50/60

NSQ-40

Busbar dimension: 40 × 10mm



安装尺寸 Dimension of case(mm)

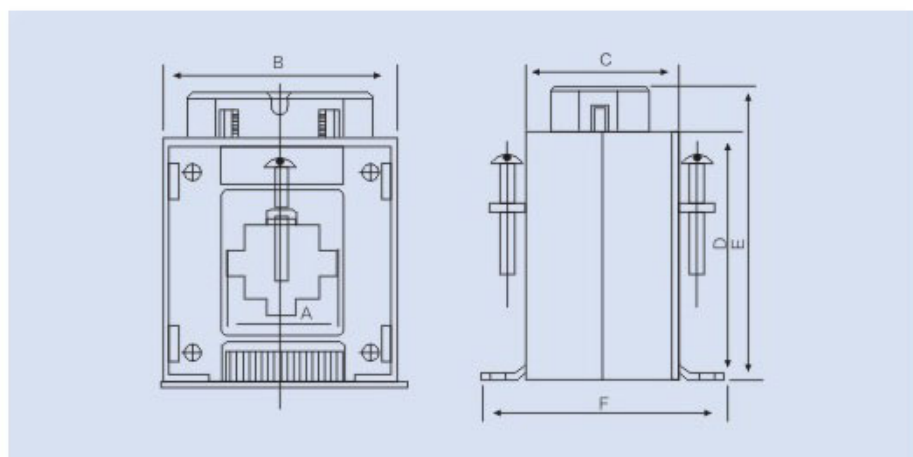
型号Type	A	B	C	D	E	F
NSQ-30	33	70	47	84	101	83
NSQ-40	40	80	46	87	104	83
NSQ-55	55	103	39	111	128	73
NSQ-100	100	155	53	174	191	80

NSQ-55

Busbar dimension: 55 × 10mm



结构图 Outline drawing



RCT-35



RCT Series:

一次电流: Primary current	5A-5000A
二次电流: Secondary current	5A,1A
额定电压: Rated voltage	0.66kV
额定频率: Rated frequency	50/60Hz
额定负荷: Rated load	1-30VA
准确等级: Class	0.5,1.0,3.0
额定安全系数: Rated security coefficient	Fs < 5

RCT-58



技术参数 Technical parameter

型号 Type	额定电流 Rated current(A)	额定负荷 Rated load(VA)	等级 Class	额定电压 Rated Voltage(V)	额定频率 Rated Frequency(Hz)
RCT-35	20/5A-300/5A	1.5-5	0.5/1.0	660	50/60
RCT-58	300/5A-1000/5A	5-10	0.5/1.0	660	50/60
RCT-90	600/5A-2000/5A	5-20	0.5/1.0	660	50/60
RCT-110	1200/5A-5000/5A	10-30	0.5/1.0	660	50/60
RCT-130	2000/5A-6000/5A	20-30	0.5/1.0	660	50/60

RCT-90



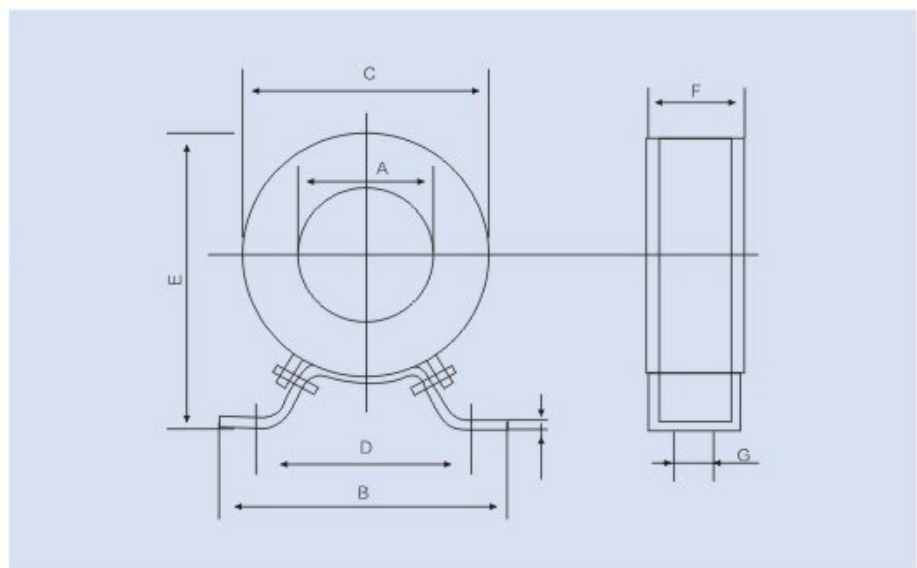
安装尺寸 Dimension of case(mm)

型号Type	A	B	C	D	E	F
RCT-35	36	93	78	84	90	53
RCT-58	58	109	99	80	113	57
RCT-90	92	93	138	80	153	45
RCT-110	112	110	165	95	180	45
RCT-130	131	110	181	95	200	45

RCT-110



结构图 Outline drawing



RCT-130



MR-80



MR Series:

一次电流: Primary current	5A-5000A
二次电流: Secondary current	5A,1A
额定电压: Rated voltage	0.72kV
额定频率: Rated frequency	50/60Hz
额定负荷: Rated load	1-30VA
准确等级: Class	0.5,1.0,3.0
额定安全系数: Rated security coefficient	Fs < 5

技术参数 Technical parameter

MR-125



型号 Type	额定电流 Rated current(A)	额定负荷 Rated load(VA)	等级 Class	额定电压 Rated Voltage(V)	额定频率 Rated Frequency(Hz)
MR-28	30/5A-100/5A	1.5-5	0.5/1.0	720	50/60
MR-42	100/5A-250/5A	5	0.5/1.0	720	50/60
MR-45	300/5A-400/5A	5	0.5/1.0	720	50/60
MR-60	400/5A-800/5A	5-10	0.5/1.0	720	50/60
MR-85	600/5-1000/5A	5-10	0.5/1.0	720	50/60
MR-125	1200/5A-5000/5A	10-30	0.5/1.0	720	50/60

安装尺寸 Dimension of case(mm)

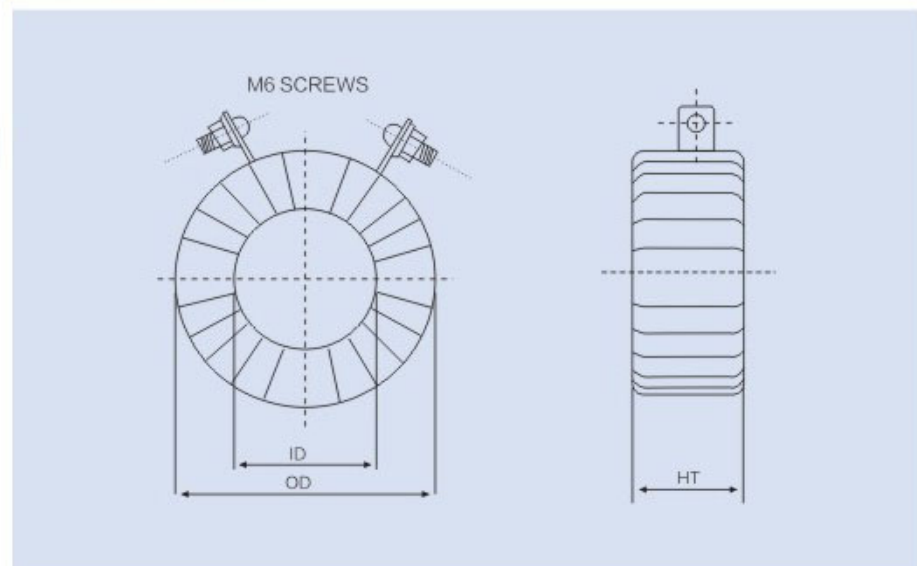
PR



型号Type	A	B	C	D	E	F
RCT-35	36	93	78	84	90	53
RCT-58	58	109	99	80	113	57
RCT-90	92	93	138	80	153	45
RCT-110	112	110	165	95	180	45
RCT-130	131	110	181	95	200	45

结构图 Outline drawing

PR



BH-20



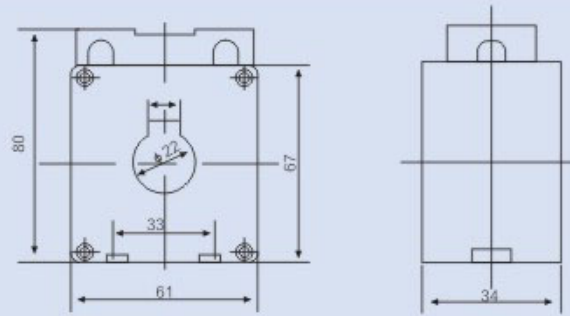
MR Series:

一次电流: Primary current	5A-5000A
二次电流: Secondary current	5A,1A
额定电压: Rated voltage	0.66kV/0.3kV
额定频率: Rated frequency	50/60Hz
额定负荷: Rated load	1-30VA
准确等级: Class	0.5,1.0,3.0
额定安全系数: Rated security coefficient	Fs < 5

技术参数 Technical parameter

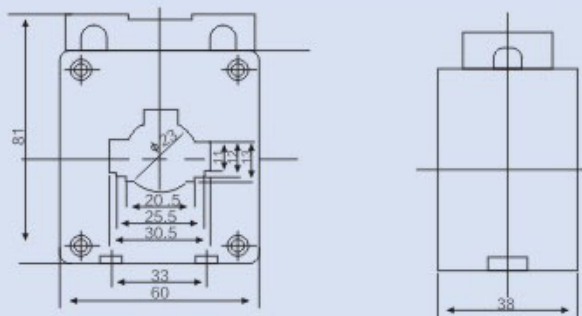
型号 Type	额定电流 Rated current(A)	额定负荷Rated load(VA)		额定电压 Rated Voltage(V)	额定频率 Rated Frequency(Hz)
		Class:0.5	Class:1.0		
BH-20	5/5	1	1	660	50/60
	30/5	1	2.5	660	50/60
	50/5	2.5	2.5	660	50/60
	75/5	2.5	2.5	660	50/60
	100/5	2.5	5	660	50/60

BH-30



技术参数 Technical parameter

型号 Type	额定电流 Rated current(A)	额定负荷Rated load(VA)		额定电压 Rated Voltage(V)	额定频率 Rated Frequency(Hz)
		Class:0.5	Class:1.0		
BH-30	5/5	1	1	660	50/60
	30/5	1	1	660	50/60
	50/5	2.5	2.5	660	50/60
	100/5	2.5	5	660	50/60
	150/5	5	5	660	50/60
	200/5	5	5	660	50/60
	300/5	5	5	660	50/60

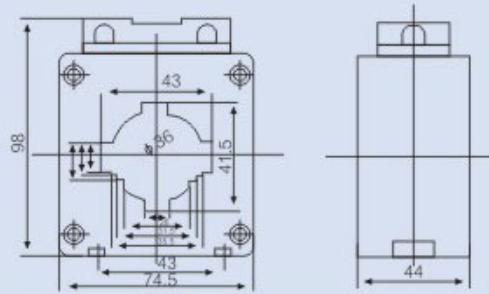


BH-40



技术参数 Technical parameter

型号 Type	额定电流 Rated current(A)	额定负荷Rated load(VA)			额定电压 Rated Voltage(V)	额定频率 Rated Frequency(Hz)
		Class:0.5	Class:0.2	Class:0.2S		
BH-40	200/5	5	5	5	660	50/60
	300/5	5	5	5	660	50/60
	400/5	5	5	5	660	50/60
	600/5	5	5	5	660	50/60

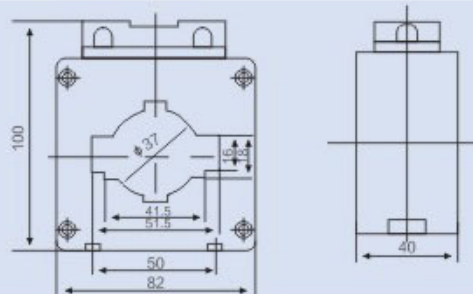


BH-50



技术参数 Technical parameter

型号 Type	额定电流 Rated current(A)	额定负荷Rated load(VA)			额定电压 Rated Voltage(V)	额定频率 Rated Frequency(Hz)
		Class:0.5	Class:0.2	Class:0.2S		
BH-50	400/5	5	5	5	660	50/60
	500/5	5	5	5	660	50/60
	600/5	5	5	5	660	50/60

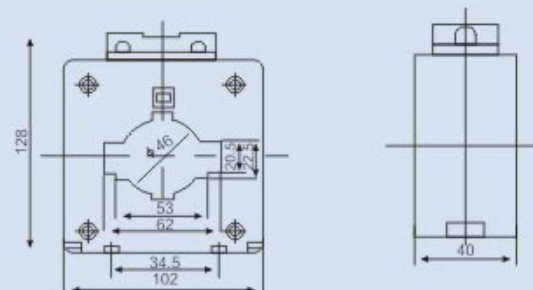


BH-60



技术参数 Technical parameter

型号 Type	额定电流 Rated current(A)	额定负荷Rated load(VA)			额定电压 Rated Voltage(V)	额定频率 Rated Frequency(Hz)
		Class:0.5	Class:0.2	Class:0.2S		
BH-60	400/5	5	5	5	660	50/60
	600/5	5	5	5	660	50/60
	800/5	5	5	5	660	50/60

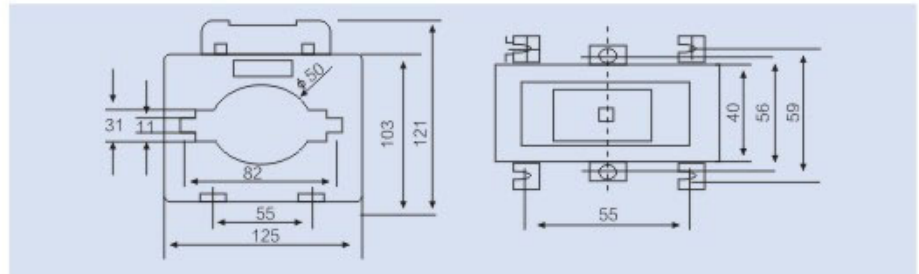


BH-80

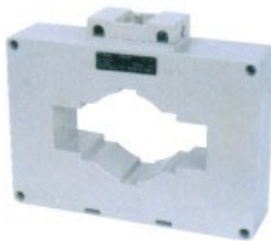


技术参数 Technical parameter

型号 Type	额定电流 Rated current(A)	额定负荷Rated load(VA)			额定电压 Rated Voltage(V)	额定频率 Rated Frequency(Hz)
		Class:0.5	Class:0.2	Class:0.2S		
BH-80	600/5	5	5	5	660	50/60
	800/5	5	5	5	660	50/60
	1000/5	10	10	5	660	50/60
	1500/5	10	10	10	660	50/60

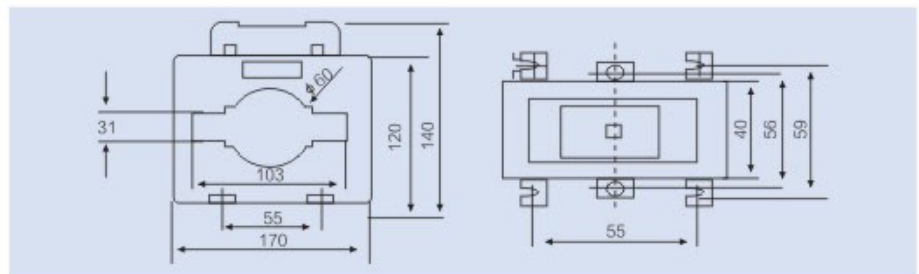


BH-100

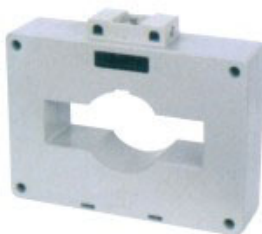


技术参数 Technical parameter

型号 Type	额定电流 Rated current(A)	额定负荷Rated load(VA)			额定电压 Rated Voltage(V)	额定频率 Rated Frequency(Hz)
		Class:0.5	Class:0.2	Class:0.2S		
BH-100	800/5	5	5	5	660	50/60
	1000/5	10	10	5	660	50/60
	1500/5	10	10	10	660	50/60
	2000/5	15	15	15	660	50/60

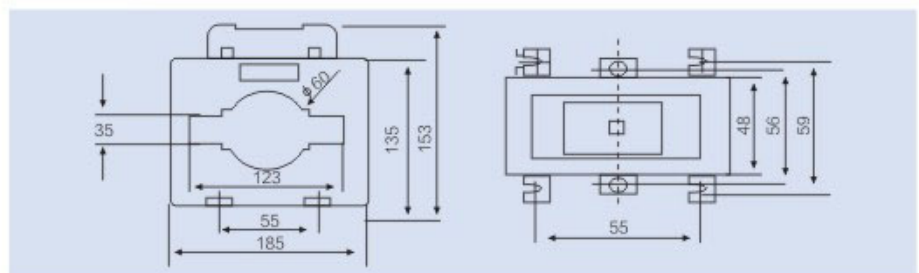


BH-120



技术参数 Technical parameter

型号 Type	额定电流 Rated current(A)	额定负荷Rated load(VA)			额定电压 Rated Voltage(V)	额定频率 Rated Frequency(Hz)
		Class:0.5	Class:0.2	Class:0.2S		
BH-120	1500/5	10	10	10	660	50/60
	2000/5	15	15	15	660	50/60
	3000/5	20	20	20	660	50/60
	5000/5	30	30	30	660	50/60



SDH-60



SDH Series:

一次电流: Primary current	5A-5000A
二次电流: Secondary current	5A, 1A
额定电压: Rated voltage	0.66kV
额定频率: Rated frequency	50/60Hz
额定负荷: Rated load	1-30VA
准确等级: Class	0.5 0.2 0.5S 0.2S
额定安全系数: Rated security coefficient	$F_s < 5$

技术参数 Technical parameter

型号 Type	额定电流 Rated current(A)	额定负荷 Rated load(VA)	等级 Class	额定电压 Rated Voltage(V)	额定频率 Rated Frequency(Hz)
SDH-40	100/5A-600/5A	1.5-5	0.2/1.0	660	50/60
SDH-60	300/5A-1000/5A	5-10	0.2/1.0	660	50/60
SDH-80	400/5A-2000/5A	5-20	0.2/1.0	660	50/60
SDH-100	800/5-4000/5A	10-30	0.2/1.0	660	50/60
SDH-120	1000/5A-5000/5A	10-30	0.2/1.0	660	50/60
SDH-150	3000/5A-8000/5A	30	0.2/1.0	660	50/60

SDH-100



安装尺寸 Dimension of case(mm)

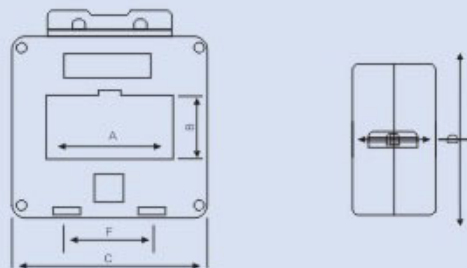
型号Type	A	B	C	D	E	F
SDH-40	42	32	78	104	47	45
SDH-60	62	32	102	112	46	53
SDH-80	82	32	122	120	46	60
SDH-100	102	32	141	123	50	73
SDH-120	122	52	165	152	50	80
SDH-150	152	52	205	163	52	82

SDH-120



型号Type	A	B	C	D	E	F
SDH-60 × 50	62	52	115	98	45	53
SDH-80 × 50	82	52	132	112	45	60
SDH-100 × 50	102	52	173	148	48	80
SDH-100 × 80	102	85	148	190	48	80
SDH-160 × 100	162	102	200	245	60	135
SDH-200 × 60	205	62	156	245	54	185
SDH-200 × 80	202	81	230	245	51	185
SDH-220 × 50	225	52	270	150	55	175
SDH-260 × 80	262	102	308	210	62	205

结构图 Outline drawing



LMZ1-0.5



技术参数 Technical parameter

型号 Type	额定电流 Rated current(A)	额定负荷Rated load(VA)			额定电压 Rated Voltage(V)	额定频率 Rated Frequency(Hz)
		Class:0.5	Class:0.2	Class:0.2S		
LMZ1-0.5	5/5-300/5	5	5	5	0.5	50/60

安装尺寸Dimension of case(mm)

型号 Type	额定电流 Rated current(A)	φ	B1	C1	D1	E1	F1
LMZ1-0.5	5/5-300/5	31	110	86	113	86	47

技术参数 Technical parameter

型号 Type	额定电流 Rated current(A)	额定负荷Rated load(VA)			额定电压 Rated Voltage(V)	额定频率 Rated Frequency(Hz)
		Class:0.5	Class:0.2	Class:0.2S		
LMZJ1-0.5	5/5-300/5	5	5	5	0.5	50/60

LMZJ1-0.5



安装尺寸Dimension of case(mm)

型号 Type	额定电流 Rated current(A)	A1	B1	C1	D1	E1	F1
		LMZJ1-0.5	5/5-300/5	36	110	88	114
	300/5	42	110	90	115	86	47

技术参数 Technical parameter

型号 Type	额定电流 Rated current(A)	额定负荷Rated load(VA)			额定电压 Rated Voltage(V)	额定频率 Rated Frequency(Hz)
		Class:0.5	Class:0.2	Class:0.2S		
LMZJ1-0.5	400/5-600/5	5	5	5	0.5	50/60

LMZJ1-0.5



安装尺寸Dimension of case(mm)

型号 Type	额定电流 Rated current(A)	A1	B1	C1	D1	E1	F1
		LMZJ1-0.5	400/5-600/5	56	110	95	127

技术参数 Technical parameter

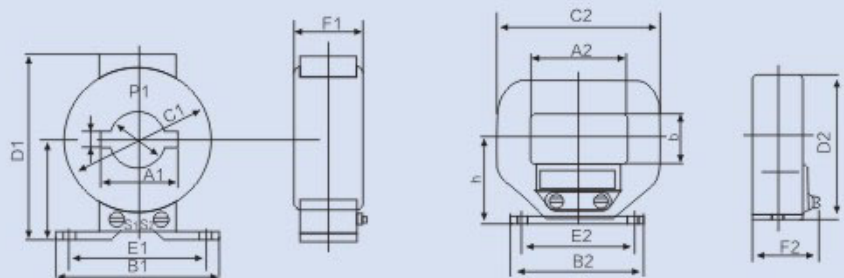
型号 Type	额定电流 Rated current(A)	额定负荷Rated load(VA)			额定电压 Rated Voltage(V)	额定频率 Rated Frequency(Hz)
		Class:0.5	Class:0.2	Class:0.2S		
LMZJ1-0.5	800/5-5000/5	5-30	5-30	5-30	0.5	50/60

LMZJ1-0.5



安装尺寸Dimension of case(mm)

型号 Type	额定电流 Rated current(A)	A2	B2	C2	D2	E2	F2
		LMZJ1-0.5	750/5-800/5	83	145	125	100
	1000/5-1500/5	102	175	143	120	123	45
	2000/5-4000/5	142	210	162	150	150	45
	5000/5	182	260	185	190	162	45



LMZ(J)1-0.66



LMZK1-0.66 Series:

一次电流: Primary current	5A-5000A
二次电流: Secondary current	5A, 1A
额定电压: Rated voltage	0.5kV/0.3kV
额定频率: Rated frequency	50/60Hz
额定负荷: Rated load	1-30VA
准确等级: Class	0.5 0.2 0.5S 0.2S
额定安全系数: Rated security coefficient	Fs < 5

技术参数 Technical parameter

型号 Type	额定电流 Rated current(A)	内径 ID	额定负荷 Rated load(VA)	等级 Class	额定电压 Rated Voltage(V)	额定频率 Rated Frequency(Hz)
LMZJ1-0.66	100/5-300-5	35	1.5-5	0.5/0.2	660	50/60
LMZJ1-0.66	300/5-400/5	40	5	0.5/0.2	660	50/60
LMZJ1-0.66	400/5-600/5	50	5	0.5/0.2	660	50/60
LMZJ1-0.66	750/5-800/5	80	5-10	0.5/0.2	660	50/60
LMZJ1-0.66	1000/5-1500/5	100	5-10	0.5/0.2	660	50/60
LMZJ1-0.66	2000/5-3000/5	140	10-30	0.5/0.2	660	50/60

LMZ(J)1-0.66

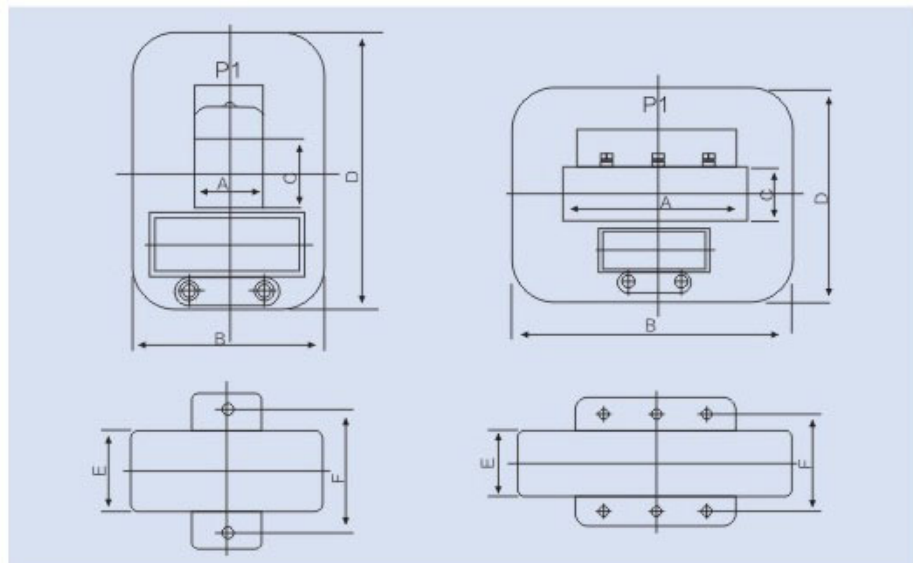


安装尺寸 Dimension of case(mm)

型号 Type	A	B	C	D	E	F
LMZJ1-0.66	36	94	15	112	45	65
LMZJ1-0.66	42	94	15	112	45	65
LMZJ1-0.66	52	104	20	115	45	65
LMZJ1-0.66	82	133	24	115	44	63
LMZJ1-0.66	102	157	25	123	44	65
LMZJ1-0.66	142	205	36	145	46	72

LMZ(J)1-0.66

结构图 Outline drawing



CP62/30



CP62/40



CP86/60



CP104/80



CP140/100



CP Series:

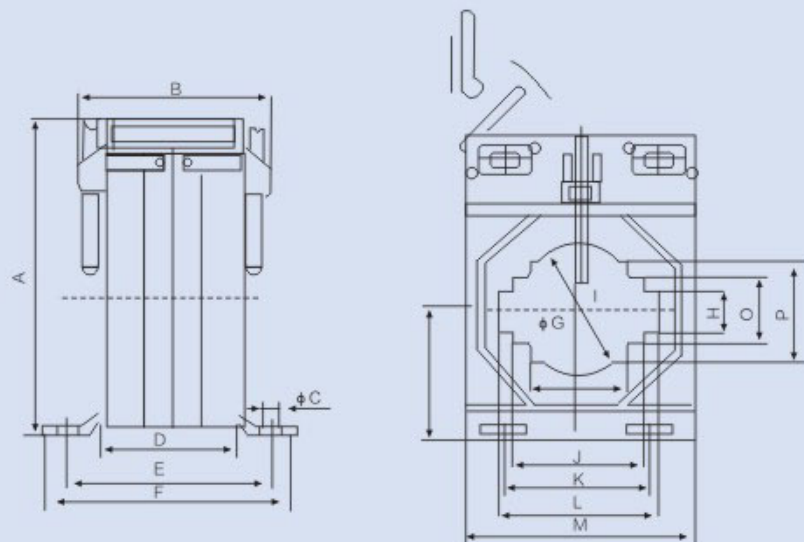
安装尺寸Dimension of case(mm)

型号Type	A	B	C	D	E	F	G	H	I	J	K	L	M	O	P
CP62/20	78	36	6.6	36	55	71						21			
CP62/30	78	47	6.6	35	55	71	30.5	11	11	26	44	31	62	21	26
CP62/40	78	47	6.6	35	55	7	31	11	16	31	44	41	74	21	26
CP74/40	98	61	6.6	45	67	81	33	11	11	31	47	41	74	21	31
CP74/50	98	61	6.6	45	67	81	41	12	31	41	47	51	86	21	31
CP86/60	110	56	6.6	40	62	76	51	12	21	51	68	61	86	31	44
CP104/80	126	56	6.6	40	62	76	65	12	31	61	86	81	104	31	56

技术参数 Technical parameter

型号 Type	额定电流 Rated current(A)	额定负荷 Rated load(VA)	等级 Class	额定电压 Rated Voltage(V)	额定频率 Rated Frequency(Hz)
CP62/20	30/5A-80/5A	1.5-2.5	3.0-0.5	720	50/60
CP62/30	50/5A-300/5A	1.5-5	1.0-0.5	720	50/60
CP62/40	200/5A-600/5A	5-10	1.0-0.5	720	50/60
CP74/40	150/5A-800/5A	2.5-20	1.0-0.5	720	50/60
CP74/50	250/5A-1000/5A	5-20	1.0-0.5	720	50/60
CP86/60	250/5A-1200/5A	5-30	1.0-0.5	720	50/60
CP104/80	600/5A-2000/5A	5-45	1.0-0.5	720	50/60
CP140/100	1000/5A-3200/5A	5-30	1.0-0.5	720	50/60

结构图 Outline drawing



AMC-30



AMC Series:

一次电流: Primary current	5A-5000A
二次电流: Secondary current	5A, 1A
额定电压: Rated voltage	0.72kV/0.3KV
额定频率: Rated frequency	50/60Hz
额定负荷: Rated load	1-30VA
准确等级: Class	0.5 0.2 0.5S 0.2S
额定安全系数: Rated security coefficient	Fs < 5

技术参数 Technical parameter

AMC-40



型号 Type	额定电流 Rated current(A)	汇流排尺寸 Busbar dimension	等级 Class	额定负荷 Rated load(VA)	额定电压 Rated Voltage(V)	额定频率 Rated Frequency(Hz)
AMC-30CT	100/5A-300/5A	30 × 10mm	0.5	5	660	50/60
AMC-40CT	200/5A-800/5A	40 × 10mm	0.5	5	660	50/60
AMC-60CT	400/5A-1200/5A	60 × 20mm	0.5	10	660	50/60
AMC-100CT	1000/5-3000/5A	100 × 20mm	0.5	15	660	50/60

安装尺寸 Dimension of case(mm)

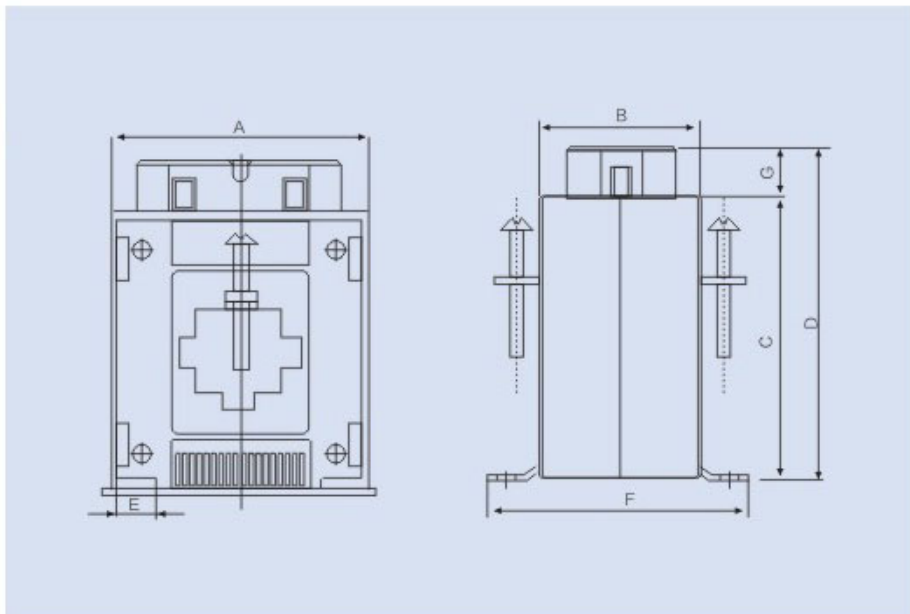
AMC-60



型号Type	A	B	C	D	E	F	G
AMC-30CT	85	53	95	112	13	83	18
AMC-40CT	85	53	95	112	13	83	18
AMC-60CT	111	53	131	148	13	83	18
AMC-100CT	155	53	174	192	13	83	18

结构图 Outline drawing

AMC-80



DM系列

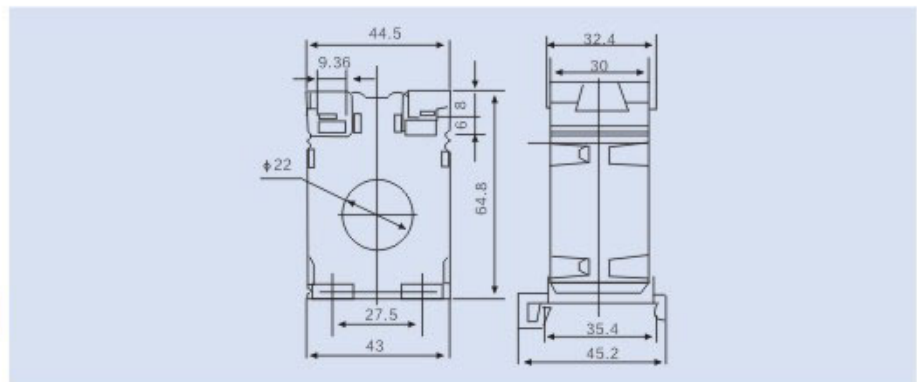


DM Series:

技术参数 Technical parameter

型号 Type	额定电流 Rated current(A)	额定电压 Rated Voltage(V)	等级 Class
DM-20	20/5	-	1.0
	30/5	-	1.0
	50/5	1	1.0
	60/5	1	1.0
	75/5	1.5	1.0
	100/5	2.5	1.0
	150/5	3	1.0
	200/5	5	1.0
	300/5	5	1.0

DM系列



DS-30

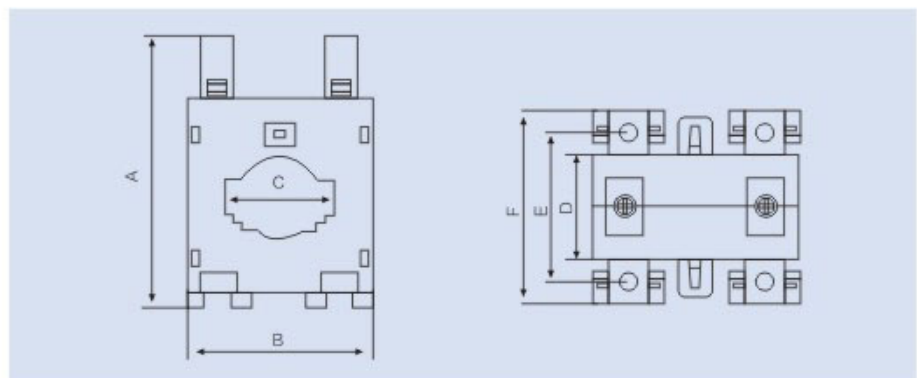


DSC Series:

技术参数 Technical parameter

型号 Type	额定电流 Rated current(A)	额定负荷 Rated load(VA)	等级 Class	额定电压 Rated Voltage(V)	额定频率 Rated Frequency(Hz)
SD-30	50/5A-400/5A	1.5-5	1.0-0.5	720	50/60
SD-40	200/5A-600/5A	2.5-5	1.0-0.5	720	50/60
SD-60	300/5A-1200/5A	5-10	1.0-0.5	720	50/60
SD-80	400/5-1600/5A	5-15	1.0-0.5	720	50/60
SD-100	600/5A-3000/5A	5-20	1.0-0.5	720	50/60

DS-60



D363、D364 Series:

D363

技术参数 Technical parameter



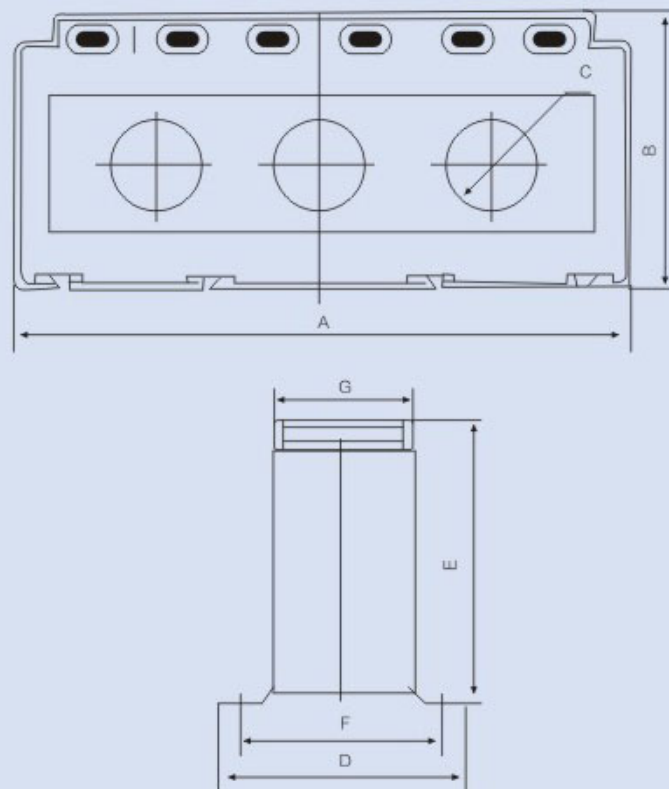
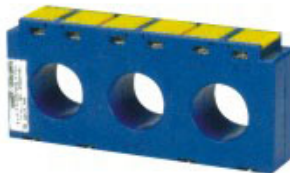
型号 Type	额定电流 Rated current(A)	电缆尺寸 Cable dimension	等级 Class	额定负荷 Rated load(VA)	额定电压 Rated Voltage(V)	额定频率 Rated Frequency(Hz)
D363	3 × 40/5A-500/5A	3 × 30mm	1.0/3.0	1.25-5VA	720	50/60
D364	3 × 300/5A-600/5A	3 × 30mm	1.0/3.0	2.5-5VA	720	50/60

安装尺寸 Dimension of case(mm)

型号 Type	A	B	C	D	E	F	G
D363	185	84	27	75	87	61	41
D364	185	84	37	75	87	61	41

D364

结构图 Outline drawing







LFZ1-10、LFZJ1-10



LFZB8-10A



LFZB8-10B



LFSQ-10 300/5



LFSQ-10 1000/5



LQJ-10Q



LQZBJ-10Q



LZZJ-10



LAABJ9-12、AS12-150B/2S



LAJ-10Q 300/5



LAZBJ-10Q



LM-6



LMZB6-10



LZZBJ9-10B



LZX-10



LZJ-10



LZJC-10



LZJD-10



JDZ-10



RZL-10



JDZX10-10



REL-10



JDZ11-10



JDZ8-35



电流互感器 Current Transformers

温州林海电器有限公司
Wenzhou Linhai Electric Co., Ltd.

型 号	规格比数	特优级·单价	优级·单价	型 号	规格比数	特优级·单价	优级·单价
CTY·BH-0.66	30-30/5	12.35	9.00	CTY·BH-0.66	80II-800/5	32.50	27.00
CTY·BH-0.66	30-50/5	12.35	9.00	CTY·BH-0.66	80II-1000/5	33.50	29.00
CTY·BH-0.66	30-75/5	12.35	9.00	CTY·BH-0.66	80II-1500/5	38.20	32.00
CTY·BH-0.66	30-100/5	12.35	9.00	CTY·BH-0.66	80II-2000/5	42.50	34.00
CTY·BH-0.66	30-150/5	12.35	9.00	CTY·BH-0.66	100-800/5	35.50	35.00
CTY·BH-0.66	30-200/5	13.30	9.00	CTY·BH-0.66	100-1000/5	37.50	35.00
CTY·BH-0.66	30-300/5	13.30	9.00	CTY·BH-0.66	100-1500/5	39.20	38.00
CTY·BH-0.66	40-100/5	21.25	11.00	CTY·BH-0.66	100-2000/5	42.50	40.00
CTY·BH-0.66	40-150/5	18.25	11.00	CTY·BH-0.66	100-2500/5	46.50	42.00
CTY·BH-0.66	40-200/5	15.20	11.00	CTY·BH-0.66	100-3000/5	50.50	45.00
CTY·BH-0.66	40-300/5	15.20	11.00	CTY·SDH-0.66	100-800/5	37.50	35.00
CTY·BH-0.66	40-400/5	15.50	11.00	CTY·SDH-0.66	100-1000/5	39.20	35.00
CTY·BH-0.66	40-500/5	16.00	11.00	CTY·SDH-0.66	100-1500/5	41.50	37.00
CTY·BH-0.66	40-600/5	17.20	11.00	CTY·SDH-0.66	100-2000/5	45.20	40.00
CTY·BH-0.66	40II-100/5	23.50	14.50	CTY·SDH-0.66	100-2500/5	48.50	43.00
CTY·BH-0.66	40II-150/5	20.20	14.00	CTY·SDH-0.66	100-3000/5	52.00	47.00
CTY·BH-0.66	40II-200/5	18.20	13.50	CTY·SDH-0.66	120-600/5	52.25	50.00
CTY·BH-0.66	40II-250/5	18.20	13.00	CTY·SDH-0.66	120-750/5	52.25	50.00
CTY·BH-0.66	40II-300/5	17.00	13.00	CTY·SDH-0.66	120-800/5	52.25	50.00
CTY·BH-0.66	40II-400/5	17.50	14.00	CTY·SDH-0.66	120-1000/5	52.25	52.00
CTY·BH-0.66	40II-500/5	17.95	14.00	CTY·SDH-0.66	120-1200/5	58.00	55.00
CTY·BH-0.66	40II-600/5	19.95	15.50	CTY·SDH-0.66	120-1500/5	60.00	60.00
CTY·BH-0.66	50-500/5	20.50	14.50	CTY·SDH-0.66	120-2000/5	65.00	65.00
CTY·BH-0.66	50II-600/5	21.50	15.50	CTY·SDH-0.66	120-3000/5	72.00	68.00
CTY·BH-0.66	60-400/5	22.50	17.00	CTY·SDH-0.66	120-4000/5	75.00	70.00
CTY·BH-0.66	60-500/5	22.50	17.00	CTY·SDH-0.66	120-5000/5	85.00	75.00
CTY·BH-0.66	60-600/5	23.00	17.50	CTY·SDH-0.66	φ60×50 1000/5	30.00	26.50
CTY·BH-0.66	60-800/5	24.50	18.00	CTY·SDH-0.66	φ80×50 1500/5	39.00	35.00
CTY·BH-0.66	60-1000/5	25.50	20.50	CTY·SDH-0.66	φ100×50 2000/5	48.00	45.00
CTY·BH-0.66	60II-400/5	23.50	18.00	CTY·SDH-0.66	φ100×80 2000/5	55.00	51.00
CTY·BH-0.66	60II-500/5	23.50	18.00	CTY·SDH-0.66	φ125×55 2500/5	88.00	80.00
CTY·BH-0.66	60II-600/5	23.50	19.00	CTY·SDH-0.66	φ140×55 3000/5	98.00	90.00
CTY·BH-0.66	60II-800/5	24.50	21.00	CTY·SDH-0.66	φ155×55 4000/5	130.00	115.00
CTY·BH-0.66	60II-1000/5	26.5	22.00	CTY·SDH-0.66	φ180×55 5000/5	150.00	135.00
CTY·BH-0.66	80-600/5	30.25	25.00	CTY·SDH-0.66	φ200×55 5000/5	180.00	165.00
CTY·BH-0.66	80-800/5	31.50	25.50	CTY·SDH-0.66	φ225×60 5000/5	200.00	185.00
CTY·BH-0.66	80-1000/5	33.20	27.00	CTY·SDH-0.66	φ225-7500/5	255.00	225.00
CTY·BH-0.66	80-1500/5	35.50	29.00	CTY·SDH-0.66	φ265-5000/5	300.00	270.00
CTY·BH-0.66	80-2000/5	38.50	33.00	CTY·SDH-0.66	φ265-7500/5	330.00	300.00
CTY·BH-0.66	80II-600/5	31.50	25.00	CTY·SDH-0.66	φ265-10000/5	360.00	330.00

本厂专业生产：(CTY-0.66、BH-0.66、SDK-0.66、NSQ、LMZ1-0.5、0.5级、0.2级、0.2 S级)电流互感器

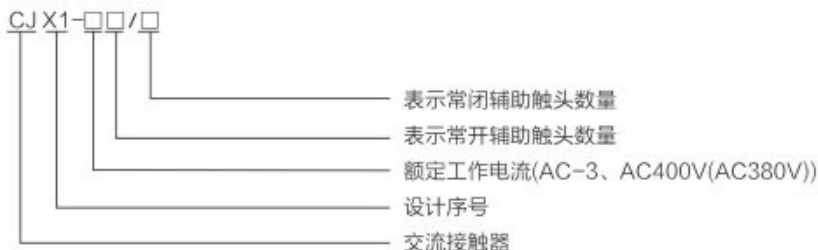
适用范围

CJX1系列交流接触器主要用于交流50Hz或60Hz，额定绝缘电压为AC690V(AC660V)，在AC-3使用类别下额定工作电压为AC400V(AC380V)时额定工作电流为9A~820A的电力线路中。作为供远距离接通和分断电路之用，并适用于控制交流电动机的启动、停止及反转。

符合标准：GB14048.4、JB/T7435。



型号及含义



正常工作条件和安装条件

1. 周围空气温度

周围空气温度上限不超过+40℃，且其24h内的平均值不超过+35℃；周围空气温度下限为-5℃；当周围空气温度高于+40℃或低于-25℃的工作条件，用户与制造厂协商。

2. 海拔

安装地点海拔不超过2000m。

3. 大气条件

3.1 湿度

最高温度为+40℃时，空气相对湿度不超过50%，在较低的温度下可以有较高的相对湿度；例如+20℃时达90%，对由于温度变化偶尔产生的凝露应采取特殊的措施。

3.2 污染等级

接触器的污染等级为3级。

4. 安装类别

接触器的安装类别通常为Ⅲ类。

5. 安装条件

5.1 接触器应按照制造厂提供的产品使用说明书安装要求进行安装。

5.2 接触器应安装在a.无显著震动和冲击振动的地方；b.在无爆炸危险的介质中，且介质中无足以腐蚀金属和破坏绝缘的气体与尘埃（包括导电尘埃）c.在没有雨雪侵袭的地方。

5.3 安装方式

接触器按正常工作位置安装，安装面与垂直面的倾斜度不超过±5°。

结构及工作原理

1. 结构

交流接触器主要有壳体、触头系统、电磁系统、灭弧室等部件组成，CJX1-09~63交流接触器采用“E”型铁芯，CJX1-75~820采用“U”型铁芯。

1.1 总体结构：

接触器为双断点触头的直动式运动机构，具有三对常开主触头，辅助触头组合方式见表。接触器触头支持件与衔铁采用弹性锁和联结，消除了薄弱环节。动作机构灵活，手动检查方便，结构设计紧凑，可防止外界杂物及灰尘落入活动部位，接线端都有防盖，人手不能直接接触带电部位。接触器外形尺寸小巧，安装面积小。安装方式可用导轨安装，也可用螺钉紧固，与其它同类产品相比，操作频率和控制容量更高。产品安全、可靠性好，为国际先进的接触器机种。

1.2 触头系统

主、辅助触头材料由电性能优越的银合金组成，具有使用寿命长及良好的接触可靠性。灭弧室呈封闭式，并有阻燃型材料阻挡电弧向外喷溅， $I_e \leq 22A$ 无灭弧隔板， $I_e \geq 32A$ 装有金属隔板，保证人身及临近电器的安全。接线螺钉采用新型自开螺钉，瓦形垫与螺钉不分离可节省接线用时。

1.3 磁系统

电磁系统工作可靠，损耗小、噪音低，具有很高的机械强度，线圈的接线端装有电压规格的标记牌，标记牌电压等级涂有特定的颜色，清晰醒目，接线方便，可避免因接错电压规格而导致线圈烧毁。

2. 工作原理

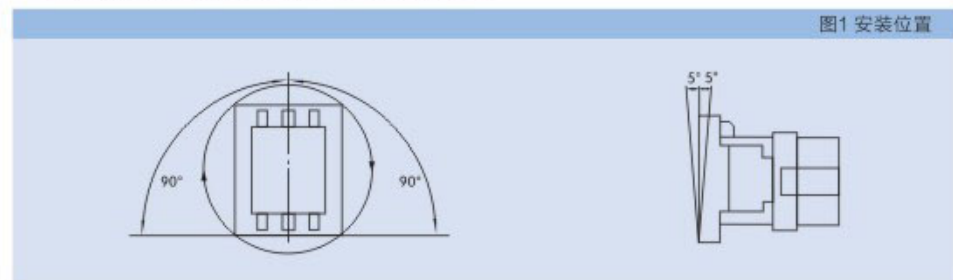
当接触器线圈通电后，线圈电流会产生磁场，产生的磁场使静铁芯产生电磁吸力吸引动铁芯，并带动交流接触器触头动作：常闭触点断开，常开触点闭合，两者是联动的。当线圈断电时，电磁吸力消失，衔铁在释放弹簧的作用下释放，使触点复原：常开触点断开，常闭触点闭合。

3. 安装位置

接触器必须安装在如图所示位置的垂直表面上。



图1 安装位置



主要参数及技术性能

1. CJX1-□交流接触器

型号	额定绝缘电压 (V)	机械寿命 10 ⁶	额定工作电流(A) AC400V(AC3800V)				电寿命10 ⁶				可控电机功率(kW)			
			AC-3		AC-4		AC-3		AC-4		AC-3		AC-3	
			AC-3	AC-4	AC-3	AC-4	230/220V	400/380V	500V	690/660V				
CJX1-9	AC690	10	9	3.3	1.2	0.15	2.4	4	5.5	5.5				
CJX1-12	AC690	10	12	4.3	1.2	0.15	3.3	5.5	7.5	7.5				
CJX1-16	AC690	10	16	7.7	1.2	0.15	4	7.5	10	11				
CJX1-22	AC690	10	22	8.5	1.0	0.15	6.1	11	11	11				
CJX1-32	AC690	10	32	15.6	1.0	0.12	8.5	15	21	23				
CJX1-45	AC690	10	45	24	1.0	0.12	15	22	30	39				
CJX1-63	AC690	10	63	28	1.0	0.1	18.5	30	41	55				
CJX1-75	AC690	10	75	34	1.0	0.1	22	37	50	67				
CJX1-85	AC690	10	85	42	1.0	0.1	26	45	59	67				
CJX1-110	AC690	10	110	54	1.0	0.05	37	55	76	100				
CJX1-140	AC690	10	140	68	1.0	0.05	43	75	98	100				
CJX1-170	AC690	10	170	75	1.0	0.05	55	90	118	156				
CJX1-205	AC690	10	205	96	1.0	0.05	64	110	145	156				
CJX1-250	AC690	10	250	110	1.0	0.05	78	132	178	235				
CJX1-300	AC690	10	300	125	1.0	0.05	93	160	210	235				
CJX1-400	AC690	10	400	150	1.0	0.05	125	200	284	375				
CJX1-475	AC690	10	472	150	1.0	0.05	144	250	329	375				
CJX1-630	AC690	2	630	355	1.0	0.015	200	330	434	500				
CJX1-820	AC690	2	820	400	1.0	0.015	260	450	600	800				

2. 线圈额定控制电源电压(U_s)为: AC380V, 220V, 127V, 110V, 48V, 36V, 24V;

外形及安装尺寸

1. CJX1-9~140交流接触器(见图2和图3)。

(单位: mm)



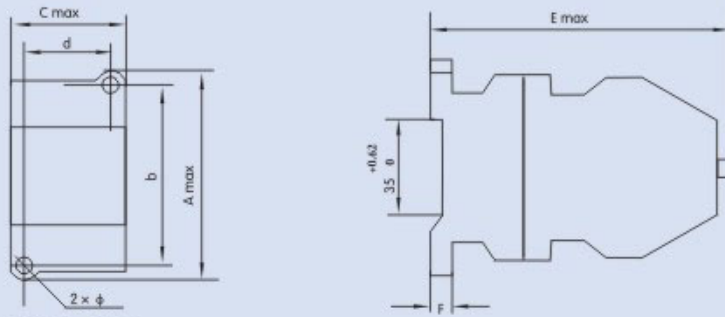
型号	A max	b	C max	d	E max	F	Φ
CJX1-9/22	79	60±0.6	46	35±0.5	106	8	4.8 ^{+0.48} ₀
CJX1-12/22	79	60±0.6	46	35±0.5	106	8	4.8 ^{+0.48} ₀
CJX1-16/22	89	75±0.6	46	35±0.5	116	8.5	4.8 ^{+0.48} ₀
CJX1-22/22	89	75±0.6	46	35±0.5	116	8.5	4.8 ^{+0.48} ₀
CJX1-32/22	90	75±0.6	74	50±0.5	109	8	5 ^{+0.48} ₀
CJX1-45/22	120	100±0.7	92	70±0.6	125	12	5 ^{+0.48} ₀
CJX1-63/22	120	100±0.7	92	70±0.6	125	12	5 ^{+0.48} ₀
CJX1-75/22	135	110±0.7	105	80±0.6	145	12	5.5 ^{+0.48} ₀
CJX1-85/22	135	110±0.7	105	80±0.6	145	12	5.5 ^{+0.48} ₀
CJX1-110/22	158	130±0.8	125	100±0.7	155	12	6.5 ^{+0.58} ₀
CJX1-140/22	158	130±0.8	125	100±0.7	155	12	6.5 ^{+0.58} ₀

2. CJX1-170~820交流接触器(见图4)。

(单位: mm)

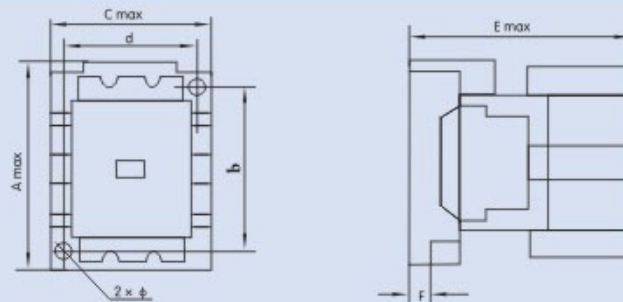
型号	A1max	A2max	a3	B2max	b2	C1max	M	e1	f1	f2	g	d1	d2	Φg1
CJX1-170	140	165	110±0.7	185	160±0.8	190	8	154	115	12	48	20	42	7 ^{+0.58} ₀
CJX1-205	140	165	110±0.7	185	160±0.8	190	10	154	115	12	48	20	42	7 ^{+0.58} ₀
CJX1-250	145	168	120±0.7	200	180±0.8	198	10	168	135	12	58	25	48	9 ^{+0.58} ₀
CJX1-300	145	168	120±0.7	200	180±0.8	198	10	168	135	12	58	25	48	9 ^{+0.58} ₀
CJX1-400	160	183	130±0.8	205	180±0.8	222	10	178	150	12	65	25	48	9 ^{+0.58} ₀
CJX1-475	160	183	130±0.8	205	180±0.8	222	10	178	150	12	65	25	48	9 ^{+0.58} ₀
CJX1-630	-	235	150±0.8	275	210±0.8	230	13.5	256	99	28	-	40	70	12 ^{+0.58} ₀
CJX1-820	-	235	150±0.8	300	210±0.8	240	13.5	256	99	28	-	40	70	12 ^{+0.58} ₀

AC-4	吸引线圈功率消耗		能效等级	线圈工作电压范围		额定操作频率 h ⁻¹		约定自由空气发热电流(A)	辅助触头电流Ie(A)		辅助触头约定自由空气发热电流(A)
	交流(VA)			交流(AC)		AC-3	AC-4		AC-15	DC-13	
	保持	吸合	级					380/ 220V	110/ 220V		
400/ 380V	690/ 660V										
1.4	2.4	8.8	68	3	(0.85~1.1)Us	1200	300	20	0.95	0.15	10
1.9	3.3	8.8	68	3	(0.85~1.1)Us	1200	300	20	0.95	0.15	10
3.5	6	8.8	68	3	(0.85~1.1)Us	1200	300	31.5	0.95	0.15	10
4	6.6	8.8	68	3	(0.85~1.1)Us	1200	300	31.5	0.95	0.15	10
7.5	13	9.5	69	3	(0.85~1.1)Us	600	300	40	0.95	0.15	10
12.6/12	21.8/20.8	25	183	2	(0.85~1.1)Us	600	300	63	0.95	0.15	10
14.7/14	25.4/24.3	25	183	2	(0.85~1.1)Us	600	300	80	0.95	0.15	10
17.9/17	30.9/29.5	27	330	2	(0.85~1.1)Us	600	300	100	0.95	0.15	10
22/21	38/36	27	330	2	(0.85~1.1)Us	600	300	100	0.95	0.15	10
28.4/27	49/46.9	45	550	2	(0.85~1.1)Us	600	300	160	0.95	0.15	10
36/35	63/60	45	550	2	(0.85~1.1)Us	600	300	160	0.95	0.15	10
40/38	69/66	60	910	2	(0.85~1.1)Us	300	300	210	0.95	0.15	10
52/50	90/86	60	910	2	(0.85~1.1)Us	300	30	210	0.95	0.15	10
61/58	105/100	80	1430	2	(0.85~1.1)Us	300	30	300	0.95	0.15	10
69/66	119/114	80	1430	2	(0.85~1.1)Us	300	30	300	0.95	0.15	10
85/81	147/140	110	2450	2	(0.85~1.1)Us	300	30	400	0.95	0.15	10
85/81	147/140	110	2450	2	(0.85~1.1)Us	300	30	475	0.95	0.15	10
168	278/253	20	1890	2	(0.85~1.1)Us	120	30	700	0.95	0.15	10
191	315/280	20	1890	2	(0.85~1.1)Us	120	30	910	0.95	0.15	10



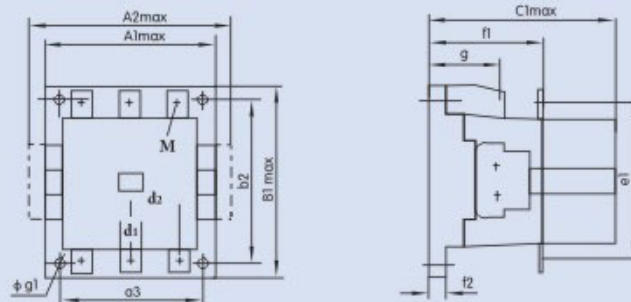
CJX1-9-32/22

图2



CJX1-45-140/22

图3



CJX1-170-475/22、CJX1-630、820/44

图4



安装、使用与维护

1 接触器安装前应注意下列事项：

- 1.1 检查接触器，确认完好无损，通电前先人工操作若干次，动作应灵活。
- 1.2 检查接触器铭牌及线圈铭牌是否与所使用的正常工作条件相符合。
- 1.3 测量其绝缘电阻，AC690V及以下电压等级应不小于1.5MΩ，如达不到上述要求时应进行干燥处理。

2 接触器安装时应注意：

- 2.1 按图样文件规定的正常工作位置安装。
- 2.2 注意接线端的标志：
 - a. 主电路进线端：1/L1、3/L2、5/L3，出线端：2/T1、4/T2、6/T3。
 - b. 辅助触头常开进线：13、43，常开出线：14、44；常闭进线：21、31，常闭出线：22、32。
 - c. 线圈接线端：A1、A2。

3 接触器（包括装箱产品）在运输和保管过程中，产品放置在不雨雪侵入、空气流动，在20℃时月平均相对湿度不超过90%；储存温度在空气温度为-5℃~+40℃的库房中。

4 接触器在运行中应定期检查，检查周期视工作条件决定，检查时应切断电源，检查的主要项目包括：

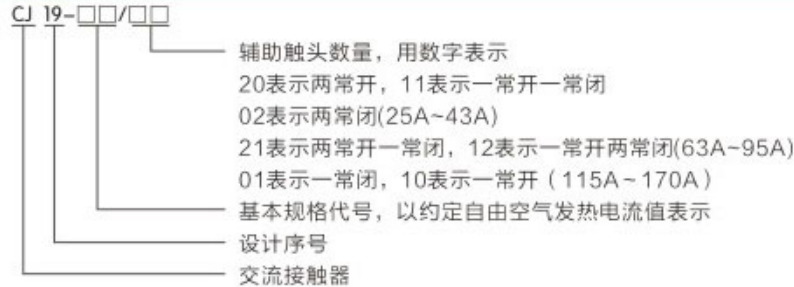
- 4.1 清除灰尘污物，尤其注意清除进出线相间的污物，以防造成相间短路，同时注意清理铁芯极面部分的污垢。
- 4.2 清除灭弧罩内的碳化物及金属颗粒。
- 4.3 清理（不允许修锉）触头表面。当触头内有较轻微烧伤及触头表面发黑时可不必清理，当发现触头有严重烧伤而不能继续使用时应更换触头。
- 4.4 拧紧所有的紧固件。

注：选型、安装、使用应符合产品使用说明书或相关国家标准要求。

适用范围

CJ19系列切换电容器接触器(以下简称接触器)主要用于交流50Hz或60Hz、额定工作电压至AC400V(380V)的电力线路中,供低压无功功率补偿设备投入或切除低压并联电容器之用。接触器带有抵制涌流装置,能有效地减小合闸涌流对电容的冲击和抵制开断时的过电压。

型号及含义



正常工作条件和安装条件

1. 周围空气温度

周围空气温度上限不超过+40℃,且其24h内的平均值不超过+35℃;周围空气温度下限为-5℃;当周围空气温度高于+40℃或低于-25℃的工作条件,用户与制造厂协商。

2. 海拔

安装地点海拔不超过2000m。

3. 大气条件

3.1 湿度

最高温度为+40℃时,空气相对湿度不超过50%,在较低的温度下可以有较高的相对湿度;列如+20℃时达90%,对由于温度变化偶尔产生的凝露应采取特殊的措施。

3.2 污染等级

接触器的污染等级为3级。

4. 安装类别

接触器的安装类别通常为Ⅲ类。

5. 安装条件

5.1 接触器应按照制造厂提供的产品使用说明书安装要求进行安装。

5.2 接触器应安装在a.无显著摇动和冲击振动的地方;b.在无爆炸危险的介质中,且介质中无足以腐蚀金属和破坏绝缘的气体与尘埃(包括导电尘埃)c.在没有雨雪侵袭的地方。

5.3 安装方式

接触器按正常工作位置安装,安装面与垂直面的倾斜度不超过±5°,矿用接触器安装面与垂直面的倾斜度不超过±15°。



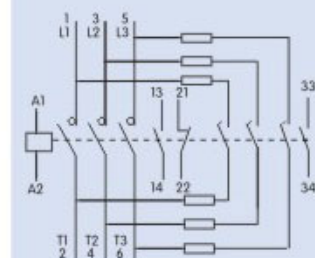
结构及工作原理

1. 结构

接触器为直动式双断点结构,触头系统分上下两层布置,上层有三对限流触头与限流电阻构成抑制涌流装置。当合闸时它先接通经数毫秒之后工作触头接通,限流触头中永久磁块在弹簧反作用下释放,断开限流电阻,使电容器正常工作,接触器内部电路连接图(见图)。

CJ19-25~43的接触器有两对辅助触头,CJ19-63~95的接触器有三对辅助触头。CJ19-115~170接触器自带一对辅助触头。接触器接线端有绝缘罩覆盖,安全可靠。线圈接线端带有,标出电压数据,可防止接错。CJ19-25~43接触器可用螺钉安装也可借底部的滑块扣装在35mm标准卡轨上。面罩上有一个可拆卸的长方形白色小牌,用户可用它打印项目代号等。CJ19-63~95可用35mm或75mm标准卡轨安装。CJ19-115~170接触器可用螺钉安装,也可用2根35mm标准导轨安装。

示例: CJ19-63/21、95/21



2. 工作原理

当接触器线圈通电（产品开始投入），磁系统动作，抑制涌流装置的主触点支架和辅助触点，支架在永久磁铁吸合下一块向下拉动，首先充电主触头接通，此时限流电阻开始起限流作用。只是瞬间，磁系统吸合，接触器主触点，接通（闭合）。抑制涌流装置辅助触点也被拉动到到位。此时主触头支架在反力弹簧的作用和机械限制下，使该支架与辅助触头支架脱离，二者很清楚是分开。抑制装置的充电主触头完成了一次的限流任务，回到它开始的位置，等待下次任务。

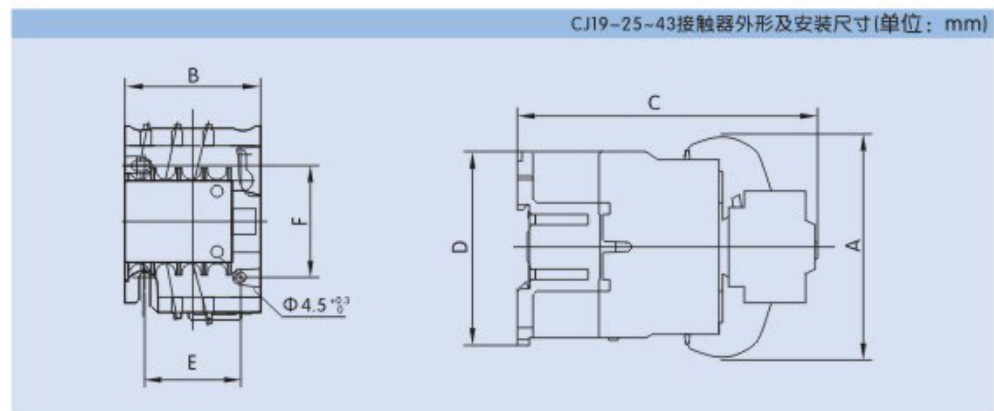
接触器开始该支路的正常运行工作，完成了一次线路的投入。一旦该电路需要切除时，接触器线圈切断，主触点打开，辅助触头与抑制涌流装置的主触头由永久磁铁把它们吸合一起，完成了一次完全投切过程。电容接触器的抑制涌流装置的触头接通，紧接着接触头主触点接通，又紧接着上面主触点打开。此原理反映了切换电容接触器的主触头与抑制涌流装置之间的关系及时间差。

主要参数及技术性能

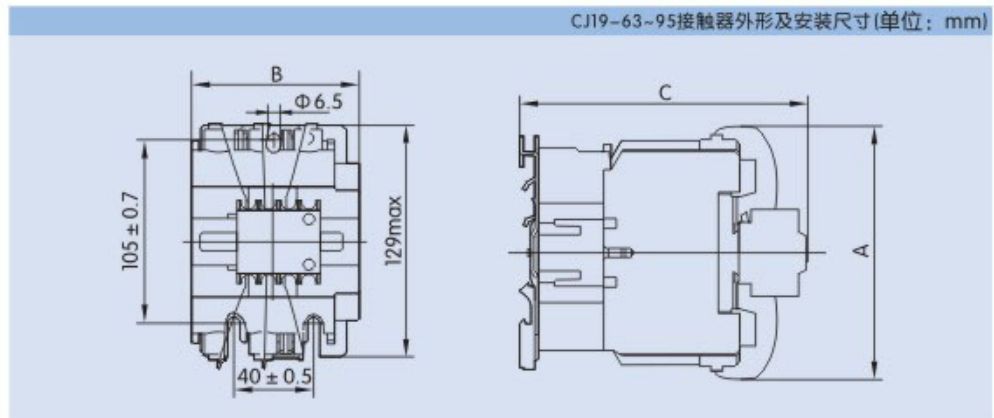
参数名称		CJ19-25	CJ19-32	CJ19-43	CJ19-63	CJ19-95	CJ19-115	CJ19-150	CJ19-170
额定电流 I_e (AC-6b,380V)(A)		17	23	29	43	72.2(400V)	87(400V)	115(400V)	130(400V)
可控电容器容量(kvar)	220V	6	9	10	15	28.8(240V)	34.5(240V)	46(240V)	52(240V)
	380V	12	18	20	30	50(400V)	60(400V)	80(400V)	90(400V)
额定绝缘电压(V)		500	500	500	500	500	690	690	690
抑制涌流能力		20 I_e							
动作条件		吸合：(85%~110%) U_s ；释放：(20%~75%) U_s							
线圈功率(VA) 启动/保持		70/8	110/11	110/11	200/20	200/20	660/85.5	660/85.5	660/85.5
辅助触头控制容量		AC-15 360VA；DC-13 33W							
重量(kg)		0.44	0.63	0.64	1.4	1.5	3.45	3.45	3.45

外形及安装尺寸

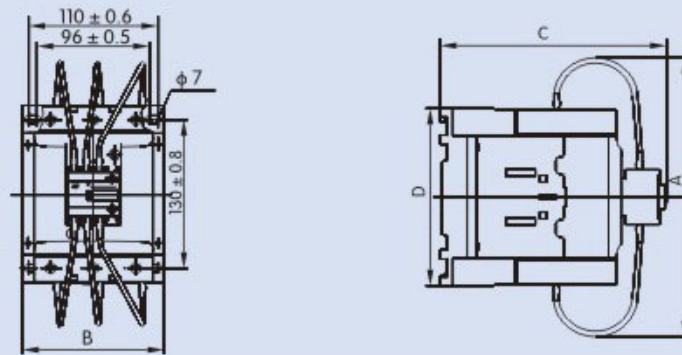
CJ19-25~43接触器外形及安装尺寸(单位：mm)



CJ19-63~95接触器外形及安装尺寸(单位：mm)



CJ19-115~170接触器外形及安装尺寸 (单位: mm)



(单位: mm)

接触器型号	Amax	Bmax	Cmax	Dmax	E	F	备注
CJ19-25	80	47	124	76	34/35	50/60	除螺钉安装外, 还可用 35mm安装轨安装
CJ19-32	110	58	132	86	40	48	
CJ19-43	110	58	136	86	40	48	除螺钉安装外, 还可用 35mm、75mm安装轨安装
CJ19-63	132	79	150				
CJ19-95	135	87	158				
CJ19-115~170	200	120	192	155			除螺钉安装外, 还可用 2根35mm安装轨安装

安装、使用与维护

1. 接触器安装前应注意下列事项:

- 1.1 检查接触器, 确认完好无损, 通电前先人工操作若干次, 动作应灵活。
- 1.2 检查接触器铭牌及线圈标牌是否与所使用的正常工作条件相符合。
- 1.3 测量其绝缘电阻, AC690V及以下电压等级应不小于1.5MΩ, 如达不到上述要求时应进行干燥处理。

2. 接触器安装时应注意:

2.1 按图样文件规定的正常工作位置安装。

2.2 注意接线端的标志:

- a. 主电路进线端: 1/L1、3/L2、5/L3, 出线端: 2/T1、4/T2、6/T3。
- b. 辅助触头常开进线: 13, 常开出线: 14。
常闭进线: 21, 常闭出线: 22。
- c. 线圈接线端: A1、A2。

3. 接触器 (包括装箱产品) 在运输和保管过程中, 产品放置在无雨雪侵入、空气流动, 在20℃时月平均相对湿度不超过90%; 储存温度在空气温度为-5℃~+40℃的库房中。

4. 接触器在运行中应定期检查, 检查周期视工作条件决定, 检查时应切断电源, 检查的主要项目包括:

- 4.1 清除灰尘污物, 尤其注意清除进出线相间的污物, 以防造成相间短路, 同时注意清理铁芯极面部分的污垢。
- 4.2 清除灭弧罩内的碳化物及金属颗粒。
- 4.3 清理 (不允许修锉) 触头表面。当触头内有较轻微烧伤及触头表面发黑时可不必修理, 当发现触头有严重烧伤而不能继续使用时应更换触头。
- 4.4 拧紧所有的紧固件。

注: 选型、安装、使用应符合产品使用说明书或相关国家标准要求。

订货须知

1. 订货时必须指出:

- 1.1 接触器完整的名称、型号。
 - 1.2 线圈的额定控制电源电压和频率。
 - 1.3 订货数量。
2. 订货示例: CJ19-95/11切换电容器接触器线圈电压220V 50Hz 10台。

○ 本手册刊载的型号和规格因产品更新而变化，恕不另行通知。本手册仅供参考之用，一切以实物为准，最终解释权归温州林海电器所有。



上海天洲电器集团有限公司 温州林海电器有限公司

销售部：乐清市柳市新电器城205号柜台

柜电：0577-62750745

生产部：乐清市柳市镇前州村凤凰路沿河巷8号

电话：0577-62766786

传真：0577-62703771

手机：13506559445 13868774771 13506551575

邮编：625604